

Hydraulic power pump

Power type output pressure 700kg/cm² 10000PSI

- Quick output oil finished by two-section of high-low pressure ; turbine type of suction oil to reach the most effective oil capacity.
- Single hole type of in-out oil controlled. To suit the terminal pressed, cable cut, punched, distributed/equipped electric tray and so on over fifty functions.
- The pressure safe valve overloading protective equipment can avoid overloading ruined or it will release pressure reach 700kg/cm² by auto.

CTE-25AS



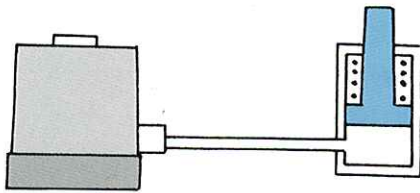
CTE-25B



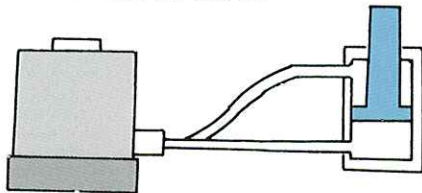
Characters:

1. Low pressure 200 cuin/min @ 0-200 PSI
2. High pressure 20 cuin/min @ 200-10000PSI
3. Voltage 110V-220V/50-60HZ Accessory : with 2M hose which can be increased length.
4. Use R32 special circle oil or SHELL T46, ISO-SVG-46

single hole for out oil



double holes for out oil



CTE-25AR

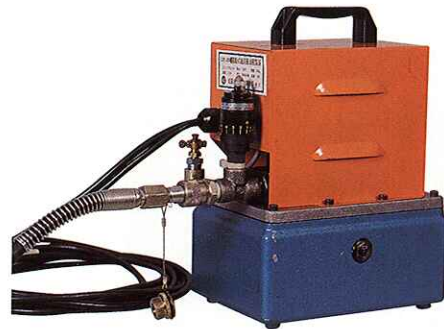


Figure for size(mm)

Model	Oil storage GAL	Oil capacity CC
CTE-25AS	1 GAL. (4000cc)	3000

Figure for specification

Model	Max. output (kg/cm ² /psi)	Output pressure (kg/cm ² /psi)	Oil per minute (CC)	Operation	Body weight (kg)	Screw	Remarks
CTE-25AS	700/10,000	Low 0-20 High 20-700	Low 2.6L High 0.32L	Electromagnetic Type	15.5	PT 3/8"	Can match a generator for operation in the outside

Power type of double-action hydraulic pump

output pressure 700kg/cm² 10000PSI

- As the general large ton and strike, for example: above 50 TON 120mm S.T oil returned is too slow cause to the spring lack of power, it must demand the oil speed, so use double-active type.
- Both entering oil and returning oil for work pressure are 700kg/cm², thus it can bring out power of ton.
- The function of CTE-25D produced by TCI is special, it can make separate action such punching, pressing, bending, entering single hole, Purpose for returning oil : to make double active entering and returning oil.
- Enclosed 2M hose for 2. And can order to extend to 10M, Liquid oil: SHELL-46.

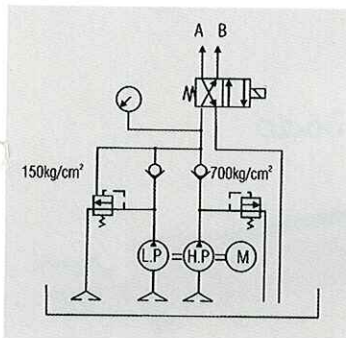
CTE-25D



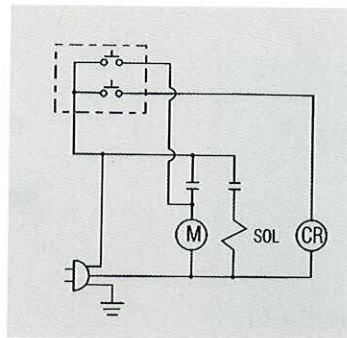
D-2SW-4



Returning way for oil pressure



Returning way for electricity



Voltage : 230V/50HZ
 Capacity : 1.5KW
 Circle : 50/60
 High pressure : 700kg/cm²
 Low pressure : 70kg/cm²
 Oil capacity : 10(GL)
 Weight : 51kg

Model	Pattern	HP	R.P.M.	Capacity	2.4/60HZ	2nd stage	Capacity	1st stage	Capacity	Weight	Hose
CTE-25AS	Detains buckles the switch	1HP	12000	4.0L	Single-phase	700kg/cm ²	0.2L min	50kg/cm ²	2.2L min	15.5kg	2M
CTE-25B	Manual	1HP	12000	4.0L	Single-phase	700kg/cm ²	0.2L min	50kg/cm ²	2.2L min	15.5kg	2M
CTE-25AR	Detains buckles the switch	1HP	12000	4.0L	Single-phase	700kg/cm ²	0.2L min	50kg/cm ²	2.2L min	16.1kg	2M
CTE-30	Detains buckles the switch	5HP	3450	12GL	Three-phase	850kg/cm ²	8L min	50kg/cm ²	17L min		10M
FEP-SSJ	Detains buckles the switch	1/2HP		2L	Single-phase	700kg/cm ²	0.2L min	15kg/cm ²	2.2L min		2M
UP-35RH	Detains buckles the switch	1/2HP		0.8L	Single-phase	700kg/cm ²	0.2L min	10kg/cm ²	2.2L min		2M
CTE-25D	Detains buckles the switch	1HP	12000	4.0L	Single-phase	700kg/cm ²	0.2L min	50kg/cm ²	2.2L min	20.6kg	2M

High pressure of pump

hand and foot type. Output pressure 700kg/cm² 10000PSI

- ▶ This design is for single-hole-operative pump with high, low of two section quick oil output. Even through under no electric, it is easy to operate. All the working pressure and function are the same as those power ones.
- ▶ They have foot and hand types with 2M hose which can order to extent its length.
- ▶ Pressure can be kept to stop. The inside of this pump is designed with safe high pressure of protective released valve.
- ▶ CP-700-2A and CFP-800 are equipped with large oil capacity which are used to bend tubes or 50 ton of rectangle hydraulic cylinder.
- ⊙ Please note:large ton or rectangle hydraulic cylinder must choose this type.

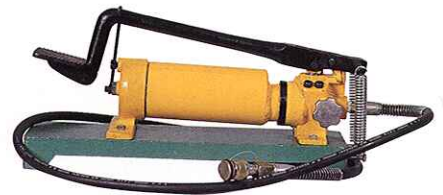
CP-700



CP-700-2A



CFP-800



CFP-800-1



CP-180



CP-700D



Characters:

1. Output pressure for operating is 700kg/cm² 10000PSI.
2. Two speed of high/low pressure.
3. Enclosed 2M hose, quick speedy coupler.
4. PT 3/8" spiral.
5. One aluminum material of returning oil switch.
6. Have to change oil every half of a year.
7. Use R32 industrial oil ISO-SVG-46 special circle or SHELL T-15.

CP-700-2D



Figure for specification

Model	Max. Output pressure (kg/cm ² /psi)	Output pressure (psi)		Oil per minute		Oil storage (cc)	Weight (kg)	Size (LxWxH) (mm)	Remarks
		Low	High	Low	High				
CP-700	700 / 10,000	350	10,000	13	2.3	900	12	510x140x150	Hand type
CP-700-2A	700 / 10,000	350	10,000	13	2.3	2,100	15	590x120x150	Hand type
CFP-800	700 / 10,000	350	10,000	13	2.3	1,200	16	630x200x240	Foot type
CFP-800-1	700 / 10,000	350	10,000	13	2.3	400	14	390x150x250	Foot type
CP-180	700 / 10,000	/			2.3	220	4	340x80x120	Hand type
CP-700D	700 / 10,000	350	10,000	13	2.3	900			Hand type
CP-700-2D	700 / 10,000	350	10,000	13	2.3	2100	20		Hand type