

# Royal Master Hydraulic Punchers



**Elongated holes available**

**Square holes available**

- All units, from the small, light models to powerful types, are chosen by our customers because of their excellent ease of operation.
  - Standard models are used to punch elongated holes. Bits with elongated holes are also standardized, and we have a large inventory. \*
  - In combination with the powerful Royal double-acting hydraulic pump, these punchers will punch holes quickly, accurately, safely, and quietly. \*\*
  - The new 506NSW, a puncher for small shape steel, has a 5° taper die for channel steel that is a standard item in stock.
- \* Elongated holes are an option for the 1150SW only.  
 \*\* Noise is generated when steel material is very hard.



**Technical note**

In making holes with these punchers, hole diameter must be larger than material thickness (SS400).



Model Specification	506NSW	606SW	706SW	711NSW	911NSW	1101SW	1150SW
Maximum capacity	270kN (27Ton)	350kN (35Ton)	450kN (45Ton)	500kN (50Ton)	600kN (60Ton)	650kN (65Ton)	1000kN (100Ton)
Maximum ability (ss400)	φ 18 × 12 φ 24 × 9	φ 22 × 13 φ 24 × 12	φ 24 × 16 φ 25 × 15	φ 24 × 16 φ 28 × 14	φ 24 × 20 φ 28 × 17	φ 25 × 21 φ 28 × 19	φ 30 × 25 φ 32 × 23
Reach	55mm	60mm	60mm	110mm	102mm	102mm	150mm
Weight	13kg	17kg	21kg	28kg	34kg	40kg	120kg
Applicable hyd. pump	70MPa (720kgf/cm <sup>2</sup> ), Double-acting type						
Accessories	φ 11, 14 18, 22	φ 11, 14 18, 22	φ 14, 18 22, 24	φ 17.5, 22 20.5, 24	φ 17.5, 22 20.5, 24	φ 17.5, 22 20.5, 24	φ 22, 24 28, 30

When purchased as a set with a hydraulic pump, two 5-m hoses are included. Customers can change the accessories to desired sizes.

# Maximum punching speed

# Dimensions of Royal Master Hydraulic Punchers

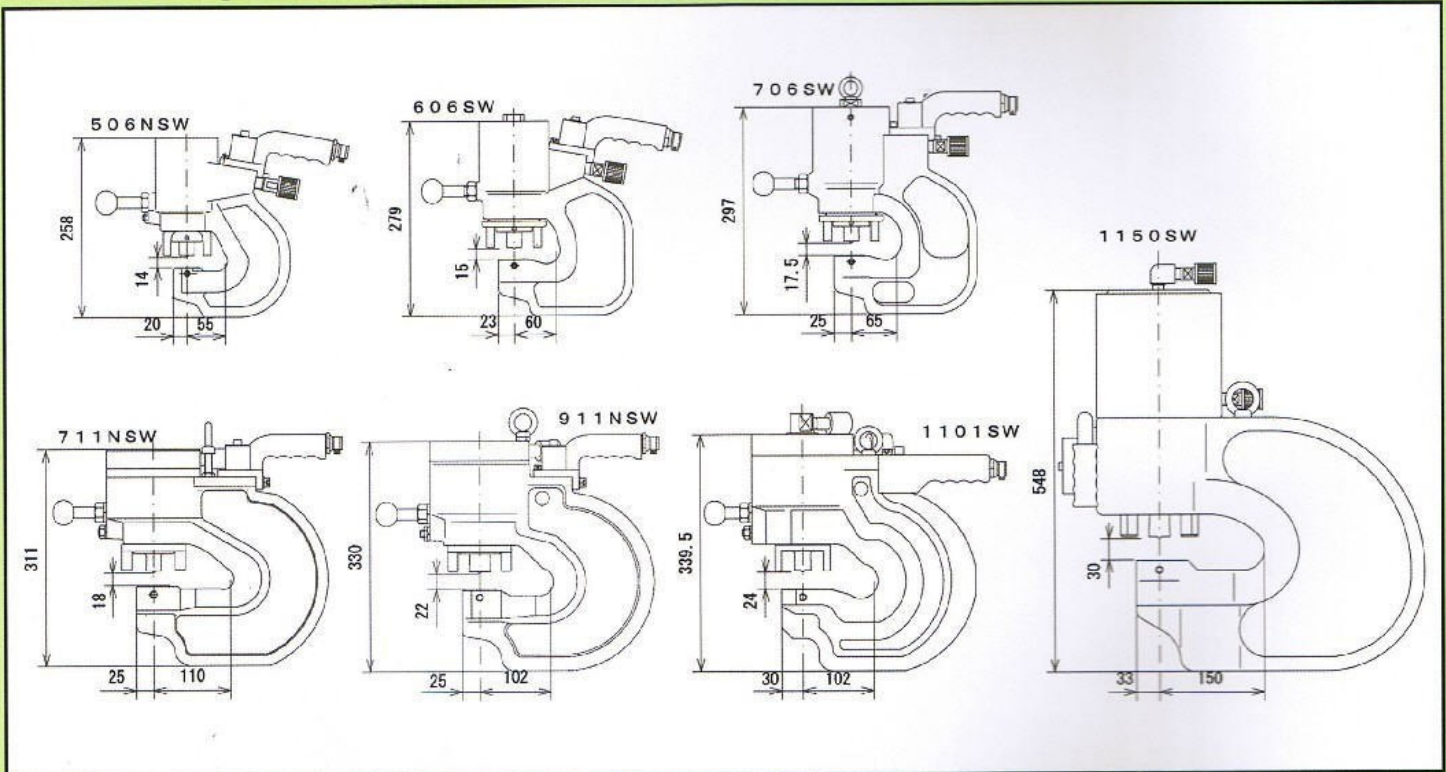
# Dimensions of Royal Master Hydraulic Pumps

### Maximum punching speed (keep in mind when selecting a hydraulic pump)

※ The time for one cycle is that needed for the bit to punch a hole and return (based on 60 Hz). There will be some variation depending on working conditions.

Puncher		506NSW		606SW		706SW		711NSW		911NSW		1101SW		1150SW	
Time (s)		Punch	Return	Punch	Return	Punch	Return	Punch	Return	Punch	Return	Punch	Return	Punch	Return
Hyd. pump	D-3SW	1.0	0.5	1.3	0.6	1.6	0.9	2.3	1.2	4	1.4	4.3	1.8	6.5	3.8
	D-2SW	1.6	0.6	2	0.8	2.5	1.3	3.5	1.7	6	2.2	6.5	2.8	10	6
	D-1SW	2.7	0.6	3.2	0.8	4	1.3	6	1.7	11	2.2	11.8	2.8	13.5	6
	1SW-40	6.8	1.3	8	3	10.1	5	13	7						

### Dimensions of Royal Master Hydraulic Punchers



### Dimensions of Royal Master Hydraulic Pumps

