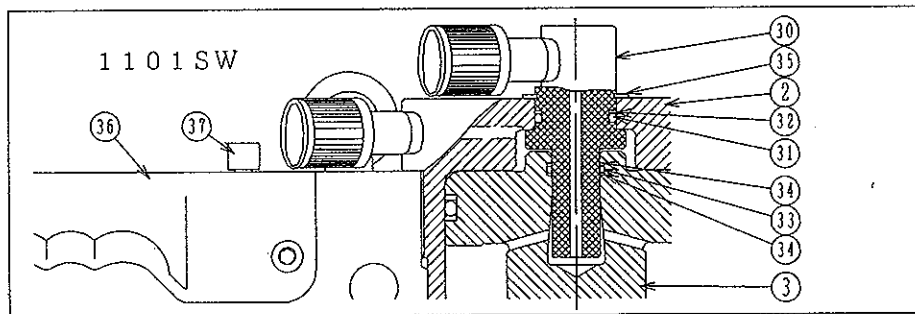
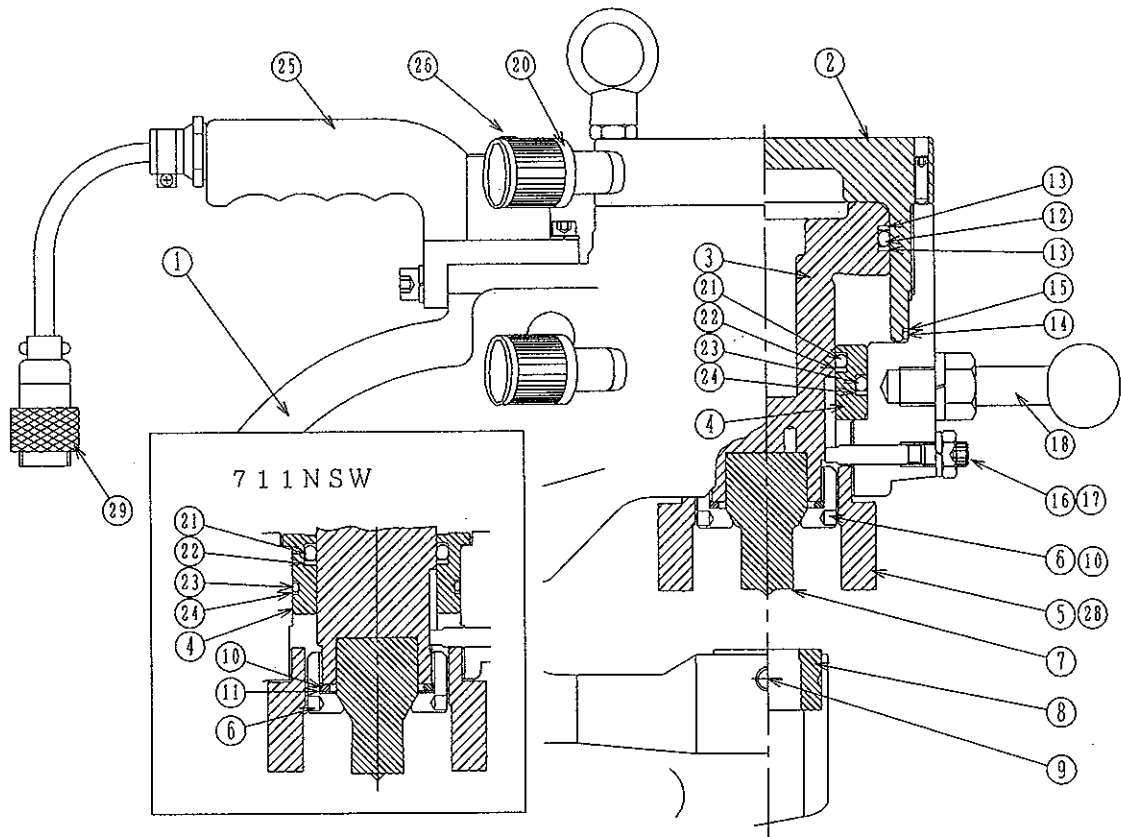


Models: 711NSW, 911NSW & S1101SW



No.	Part Name
1	Puncher body
2	Cylinder
3	Piston rod
4	Seal ring
5	Stopper
6	Punch cap
7	Punch
8	Die
9	Die setscrew
10	O-ring for locking punch cap
11	711N spacer
12	O-ring
13	Backup ring
14	O-ring
15	Backup ring
16	Detent key
17	Detent screw
18	Front handle

No.	Part Name
20	Female coupling (black & white)
21	O-ring
22	Backup ring
23	O-ring
24	Backup ring
25	Rear handle
26	Pushbutton switch assy.
28	Fixing screw
29	Metal connector
30	B-port shaft
31	O-ring
32	Backup ring
33	O-ring
34	Backup ring
35	Retaining ring
36	1101 rear handle
37	Pushbutton switch