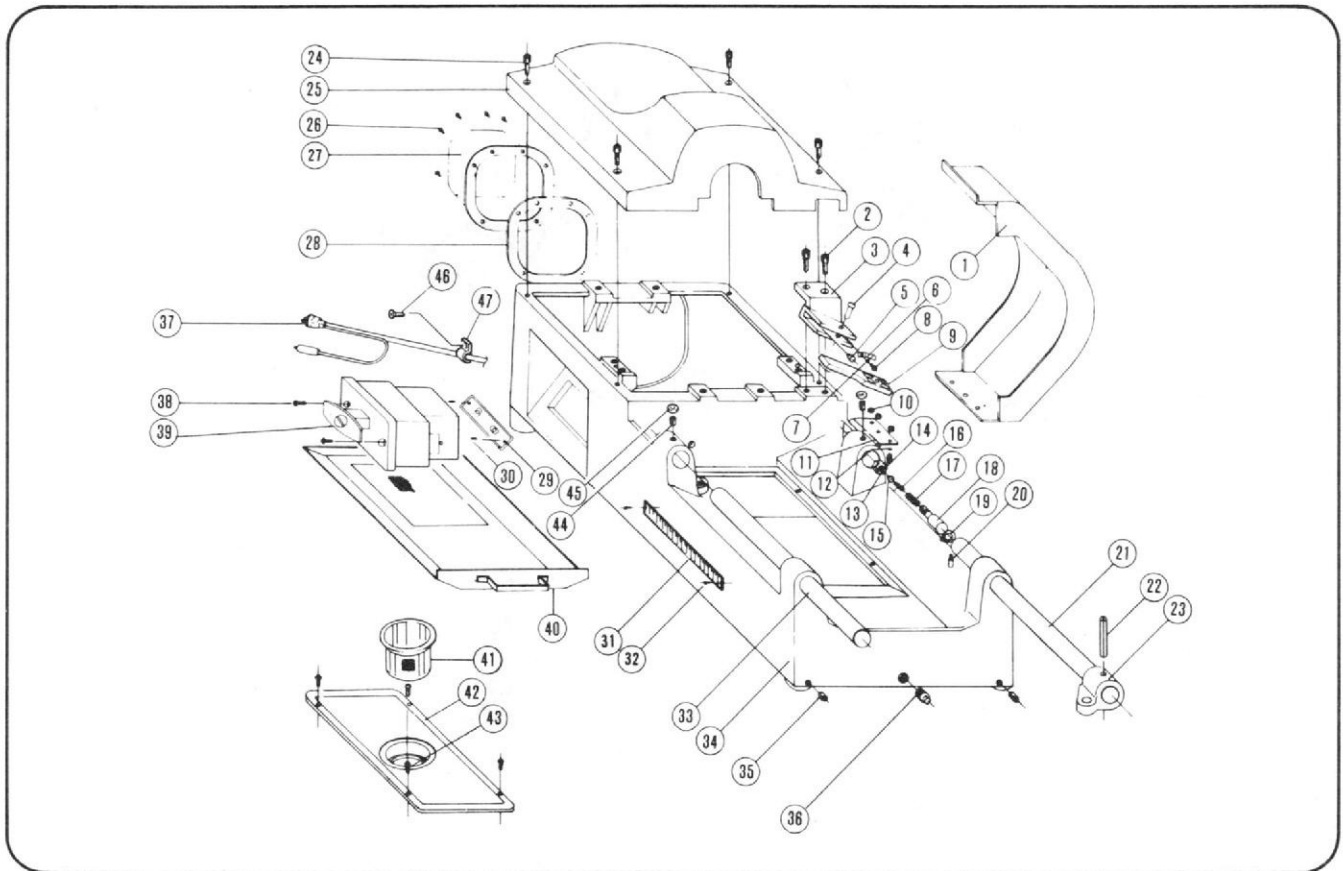


# BOLT MACHINE NO.1

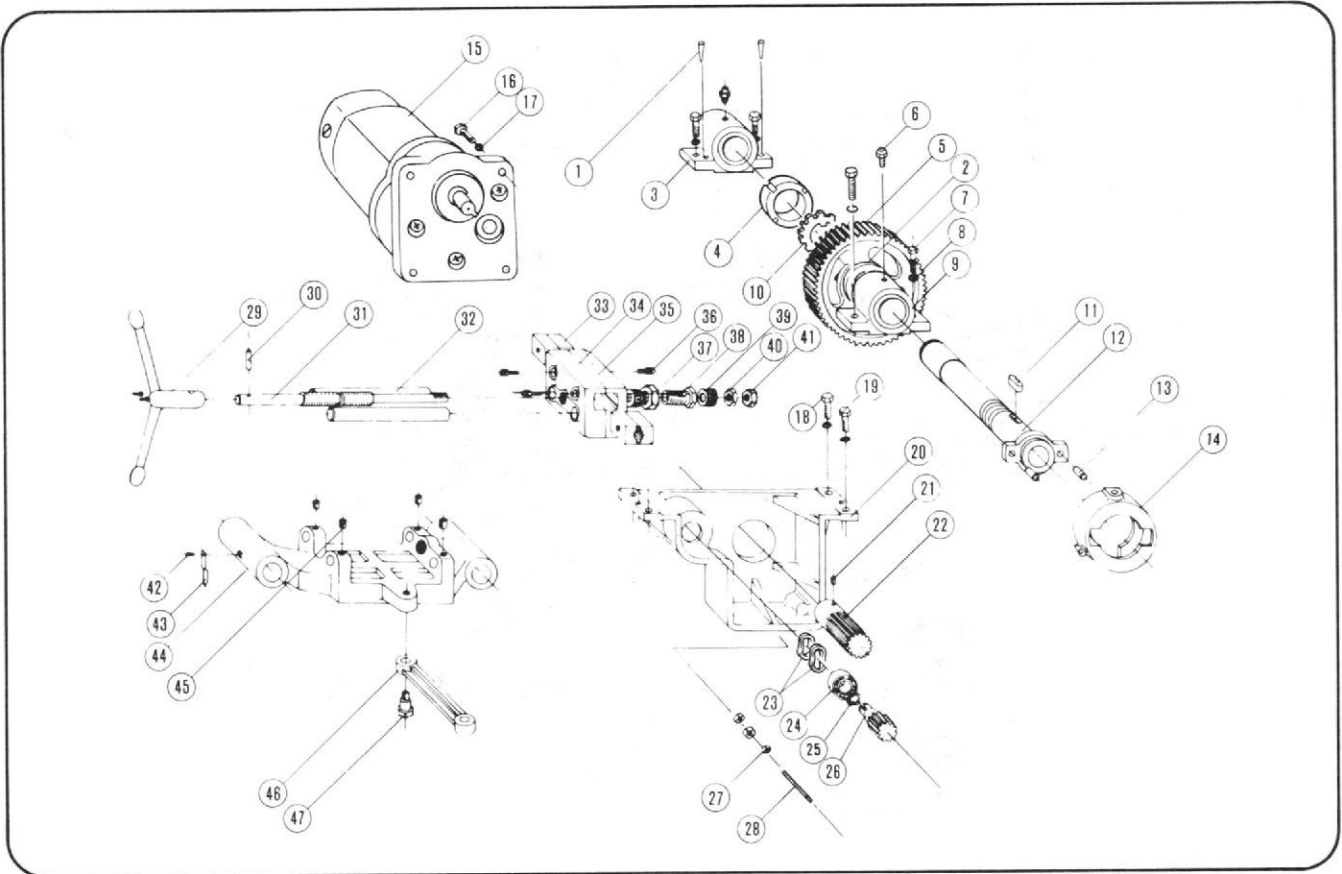
Frame



NO.	PARTS NAME	QTY	CODE NO.	NO.	PARTS NAME	QTY	CODE NO.
1	Oil Cover	1	10308	31	Stroke Scale	1	10408
2	Stop Bolt M8 x 20ℓ	2	80177	32	Plate Tack 2φ x 7ℓ	2	83351
3	Dies Opening Support	1	10721	33	Guide Bar (F)	1	10712
4	Pin	1	10111	34	Frame	1	10701
5	Auxiliary Support Pin	1	10723	35	Hex Screw M8 x 8ℓ	4	80367
6	Plate Spring	1	10722	36	Oil Tank Plug PT3/8	1	84248
7	Spring Washer M4	1	81111	37	Power Cord	1	22725
8	Cap Screw M4 x 6ℓ	1	82110	38	Pan-Head Screw M5 x 15ℓ	2	82196
9	Dies Opening Plate	1	10720	39	Power Switch (R&L)	1	87006
10	Hex Nut M4	3	81002	40	Chip Pan	1	10301
11	Hinge 76 x 50	1	88801	41	Strainer	1	10304
12	Washer M4	3	81150	42	Oil Tank Lid	1	10302
13	Cap Screw M4 x 8ℓ	6	82111	43	Cap Screw M5 x 10ℓ	4	82113
14	Hex Nut	1	10719	44	Hex Screw M8 x 18	2	80372
15	Adjusting Pin	1	10717	45	U-Nut M8	2	81040
16	Adjusting Spring	1	10718	46	Pan-Head Screw	1	82207
17	Spring	1	10716	47	Hook	1	19722
18	Push Bar	1	10715	Set	Dies Opening Support Complete (3)–(9)	1	88671
19	Snap Ring 20φ	1	83315	Set	Oil Cover Complete (1)–(10)–(13)	1	88670
20	Push Guide	1	10714	Set	Guide Bar (R) Complete (14)–(21)	1	88777
21	Guide Bar (R)	1	10713				
22	R-Pin	1	83075				
23	Operating Lever Support	1	88622				
24	Stop Bolt M6 x 35ℓ	4	80169				
25	Top Cover	1	10702				
26	Cap Screw M5 x 10ℓ	6	82113				
27	Motor Cover	1	10726				
28	Motor Cover Gasket	1	10728				
29	Switch Plate	1	10803				
30	Plate Tack 2φ x 7ℓ	2	83351				

# BOLT MACHINE NO.1

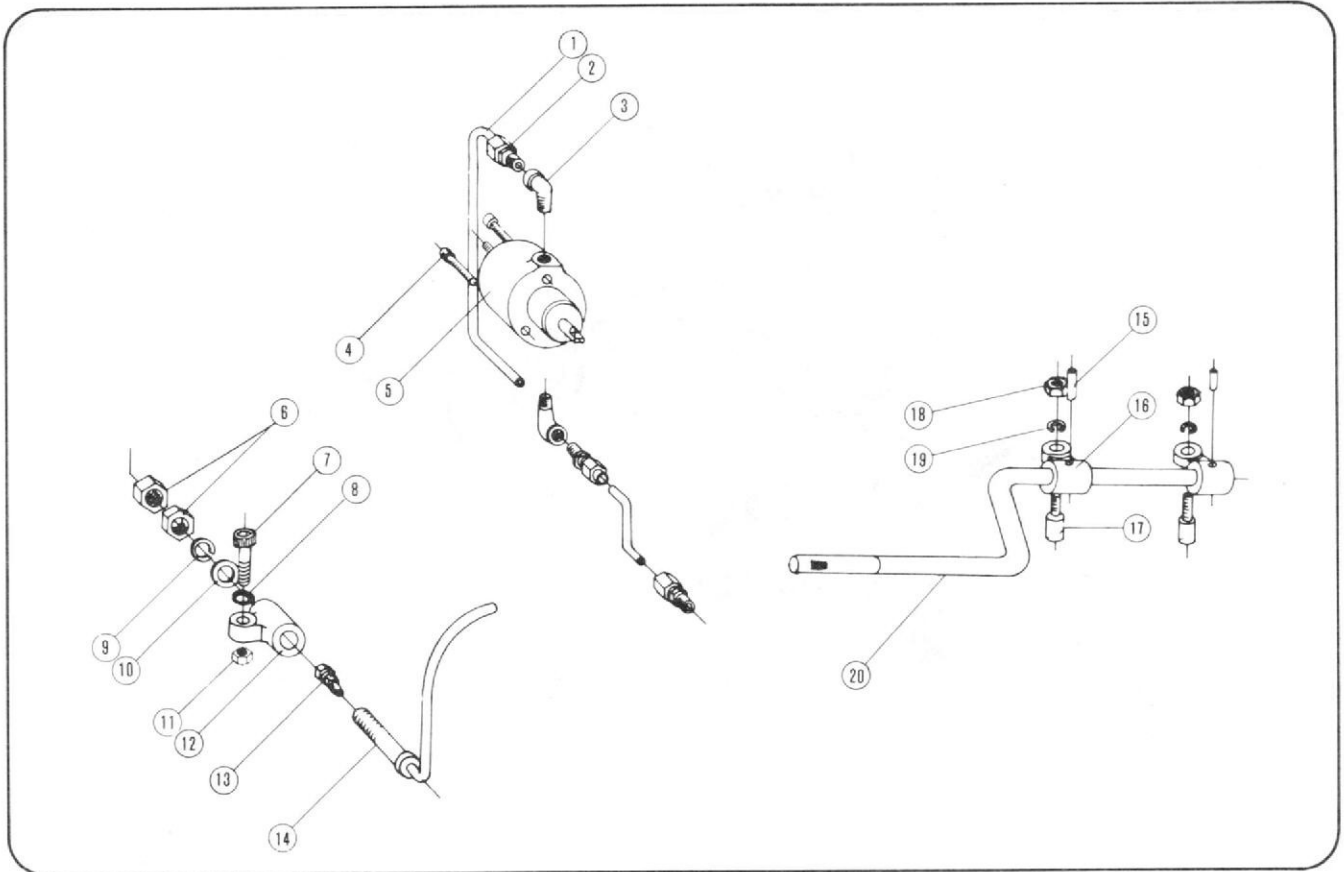
Drive Shaft, Vice & Carriage



NO.	PARTS NAME	QTY	CODE NO.	NO.	PARTS NAME	QTY	CODE NO.
1	Tapered Pin 5φ x 30ℓ	2	83255	25	Snap Ring 17φ	1	83305
2	Thrust Washer	1	81166	26	Pump Gear	1	10306
3	Rear Housing Complete	1	70101	27	Hex Nut M8	3	81009
4	Bearing Nut	1	84275	28	Hex Screw M8 x 50ℓ	1	80376
5	Spindle Gear	1	10733	29	Vice Handle	1	10406
6	Grease Nipple PS1/8	2	84231	30	R-Pin 6φ x 25ℓ	1	83039
7	Stop Bolt M8 x 25ℓ	4	80037	31	Vice Feed Screw	1	10404
8	Spring Washer M8	4	81114	32	Vice Guide Bar (2 pcs/set)	1 set	10407
9	Front Housing Complete	1	70100	33	Vice Jaws (set) (4 pcs/set)	1 set	10403
10	Bearing Washer	1	84285	34	Vice Jaw Holder (F)	1	10402
11	Key 10 x 8 x 23ℓ	1	83267	35	Vice Jaw Holder (R)	1	10411
12	Spindle	1	10730	36	Stop Bolt M6 x 20ℓ	4	80166
13	Spindle Pin	2	10708	37	Hex Nut M20	1	81014
14	Die-Head Set Ring	1	10103	38	Vice Adjusting Bolt	1	10405
15	Motor with Gear	1		39	Thrust Bearing 51101	2	84119
15	Armature	1		40	Hex Nut M12	1	81011
15	Carbon Brush (Auto Stop)	2	70706	41	Hex Nut M12	1	81007
15	Carbon Cap	2	70708	42	Cap Screw M4 x 6ℓ	1	82110
15	Carbon Holder	2	70707	43	Needle Indicator	1	19723
15	Motor Shaft	1	10737	44	Vice Body	1	10401
16	Stop Bolt M8 x 25ℓ	4	80037	45	Hex Screw M8 x 8ℓ	4	80367
17	Spring Washer M8	4	81114	46	Carriage Link	1	88933
18	Hex Bolt M8 x 25ℓ	4	80037	47	Link Pin	1	88620
19	Spring Washer M8	4	81114	Set	Vice Complete (29-45)	1	88665
20	Motor Flange	1	10221	Set	Spindle Complete (12,13)	1	88779
21	Stop Bolt M5 x 10ℓ	1	80201	Set	Shaft Complete (15)	1	10903
22	Motor Pinion	1	10710				
23	Corrugated Washer BW6202	2	81161				
24	Ball Bearing 6003	1	84124				

# BOLT MACHINE NO.1

# Oil Circulating System & Operation Lever



NO.	PARTS NAME	QTY	CODE NO.	NO.	PARTS NAME	QTY	CODE NO.
1	Tube	1	85402				
2	M-Connector 1/4 x 1/4	3	85002				
3	M-Elbow 1/4 x 1/4	2	85023				
4	Stop Bolt M6 x 50ℓ	3	80172				
5	Trochoid Pump	1	84215				
6	Hex Nut M16	2	81052				
7	Stop Bolt M10 x 50ℓ	1	80194				
8	Spring Washer M10	1	81115				
9	Spring Washer M16	1	81117				
10	Washer M16	1	81153				
11	Hex Nut M10	1	81006				
12	Link Joint	1	88619				
13	M-Connector 1/4 x 1/8	1	85001				
14	Oiling Pipe	1	10307				
15	R-Pin 5φ x 30ℓ	2	83026				
16	Link Joint	2	88619				
17	Joint Pin	2	88621				
18	Hex Nut M10	2	81006				
19	Spring Washer M10	2	81115				
20	Operating Lever	1	10409				
Set	Oiling Pipe Complete (6)(9)(10)(14)	1	88776				
Set	Operating Lever Complete (15)-(20)	1	88657				